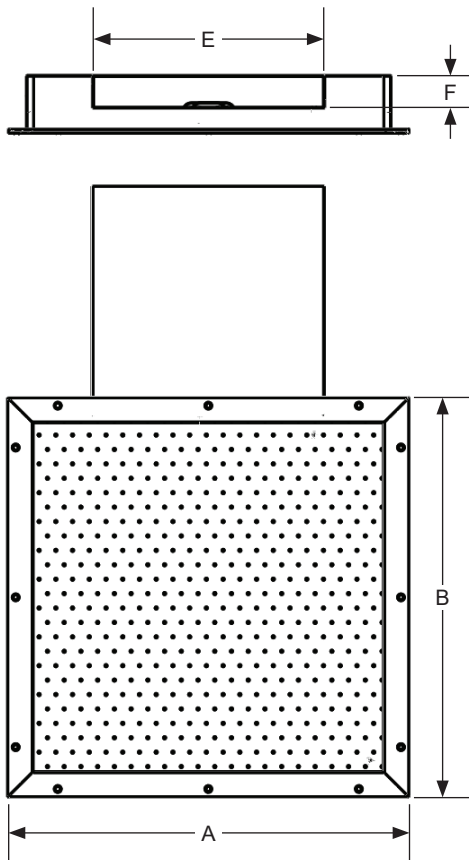
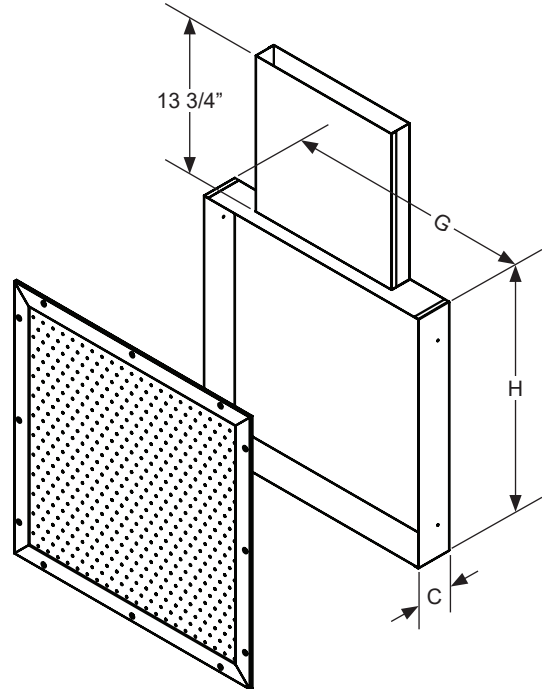


DVIR-F

Rectangular Displacement Diffuser • Flush or Wall Mount with Frame

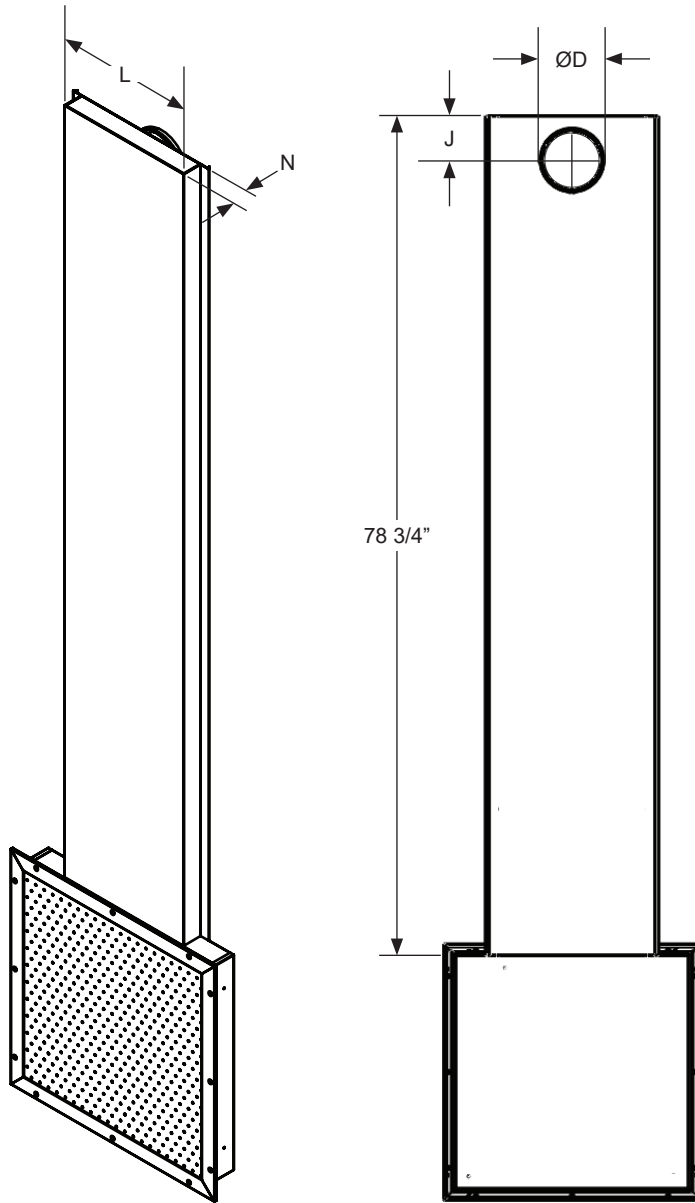


Note: All dimensions are in inches

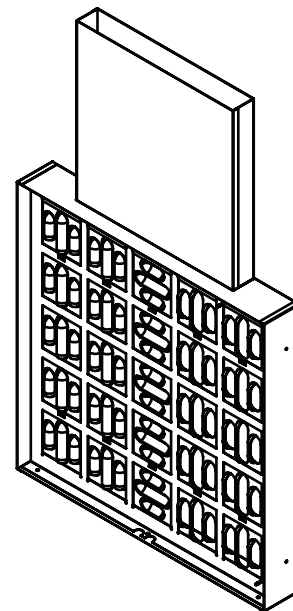


Model	Inlet Size	Nominal Unit Size	Unit Dimensions (Inches)						
			A	B	C	E	F	G	H
DVIRF	8	12 X 10	12.00	10.00	3 1/8	5 7/8	1 7/8	9 7/8	7 7/8
	8	12 X 12	12.00	12.00	3 1/8	5 7/8	1 7/8	9 7/8	9 7/8
	12	16 X 10	16.00	10.00	3 1/8	9 7/8	1 7/8	13 7/8	7 7/8
	12	16 X 12	16.00	12.00	3 1/8	9 7/8	1 7/8	13 7/8	9 7/8
	12	16 X 16	16.00	16.00	3 1/8	9 7/8	1 7/8	13 7/8	13 7/8
	12	16 X 24	16.00	24.00	3 1/8	9 7/8	1 7/8	13 7/8	21 7/8
	14	20 X 20	20.00	20.00	3 1/8	13 7/8	1 7/8	17 7/8	17 7/8
	16	24 X 12	24.00	12.00	3 1/8	13 7/8	1 7/8	21 7/8	9 7/8
	16	24 X 18	24.00	18.00	3 1/8	13 7/8	1 7/8	21 7/8	15 7/8
	16	24 X 24	24.00	24.00	3 1/8	13 7/8	1 7/8	21 7/8	21 7/8
	23	24 X 30	24.00	30.00	4	19 7/8	2 7/8	21 7/8	27 7/8
	23	24 X 36	24.00	36.00	4	19 7/8	2 7/8	21 7/8	33 7/8
	23	24 X 48	24.00	48.00	4	19 7/8	2 7/8	21 7/8	45 7/8
	23	30 X 24	30.00	24.00	4	19 7/8	2 7/8	27 7/8	21 7/8
	23	36 X 12	36.00	12.00	4	19 7/8	2 7/8	33 7/8	9 7/8
	23	36 X 24	36.0	24.00	4	19 7/8	2 7/8	33 7/8	21 7/8
23	48 X 12	48.00	12.00	4	19 7/8	2 7/8	45 7/8	9 7/8	
23	49 X 24	48.00	24.00	4	19 7/8	2 7/8	45 7/8	21 7/8	
27	60 X 24	60.00	24.00	4	23 7/8	2 7/8	57 7/8	21 7/8	

Optional duct cover



Model	Inlet Size	Unit Dimensions (Inches)			
		D	J	L	N
DVIRF	8	3 7/8	2 7/8	6 1/16	2
	12	3 7/8	2 7/8	10 2/16	2
	14	4 7/8	3 7/16	12 2/16	2
	16	5 7/8	4 1/8	14 2/16	2
	23	7 7/8	4 15/16	20 1/16	3
	27	9 7/8	5 15/16	24 1/16	3



View showing integral variable air pattern controllers

Note: All dimensions are in inches

General Description

- DVIR-F is a rectangular displacement diffuser with 1-way discharge designed for flush mount applications
- The DVIR-F is designed to supply small to medium volumes of air at low velocity to the occupied zone
- Includes integral variable air pattern controllers for easy adjustment of the air flow spread pattern
- Includes air volume measurement outlet to facilitate balancing. K-factor is marked on outlet
- Material is galvanized steel & aluminum
- Optional duct cover (fixed length: 73-3/4")
- Standard finish is #26 white (powdercoat)